

DYNAMIC PROGRESS  
MADE IN INDIA





DO YOU EXPECT NEW IMPETUS? WELCOME TO REITZ!

Why will you always get more value for your money when purchasing fans from Reitz: We deliver not only products but also our entire wealth of experience, our reliability as a professional business unit and, above all, a plethora of ideas on how to put your plans into practice safely and efficiently.

## PERFORMANCE BASED ON EXPERIENCE IN BUSINESS

Reitz India's parent company Konrad Reitz Ventilatoren GmbH was formed in 1948, and since then there have been numerous changes. One thing has remained the same, however; our conviction that the customer expects tailor-made solutions and the personal commitment of each and every employee.

Reitz India Limited was established in 1998 as an Indo-German Joint Venture Company with technical and financial collaboration of M/s Konrad Reitz Ventilatoren GmbH Germany, leader in centrifugal technology in Europe. Since its inception, Reitz India has remained as a progressive organisation offering tailor made solutions to its customers thus earning its name as a leading fan company in India and abroad.

## ARE YOU READY FOR NEW IDEAS? IMPETUS FOR YOUR NEW PROJECTS

It is our philosophy to improve technology, to make operations more efficient and to provide our customers with the best possible support.

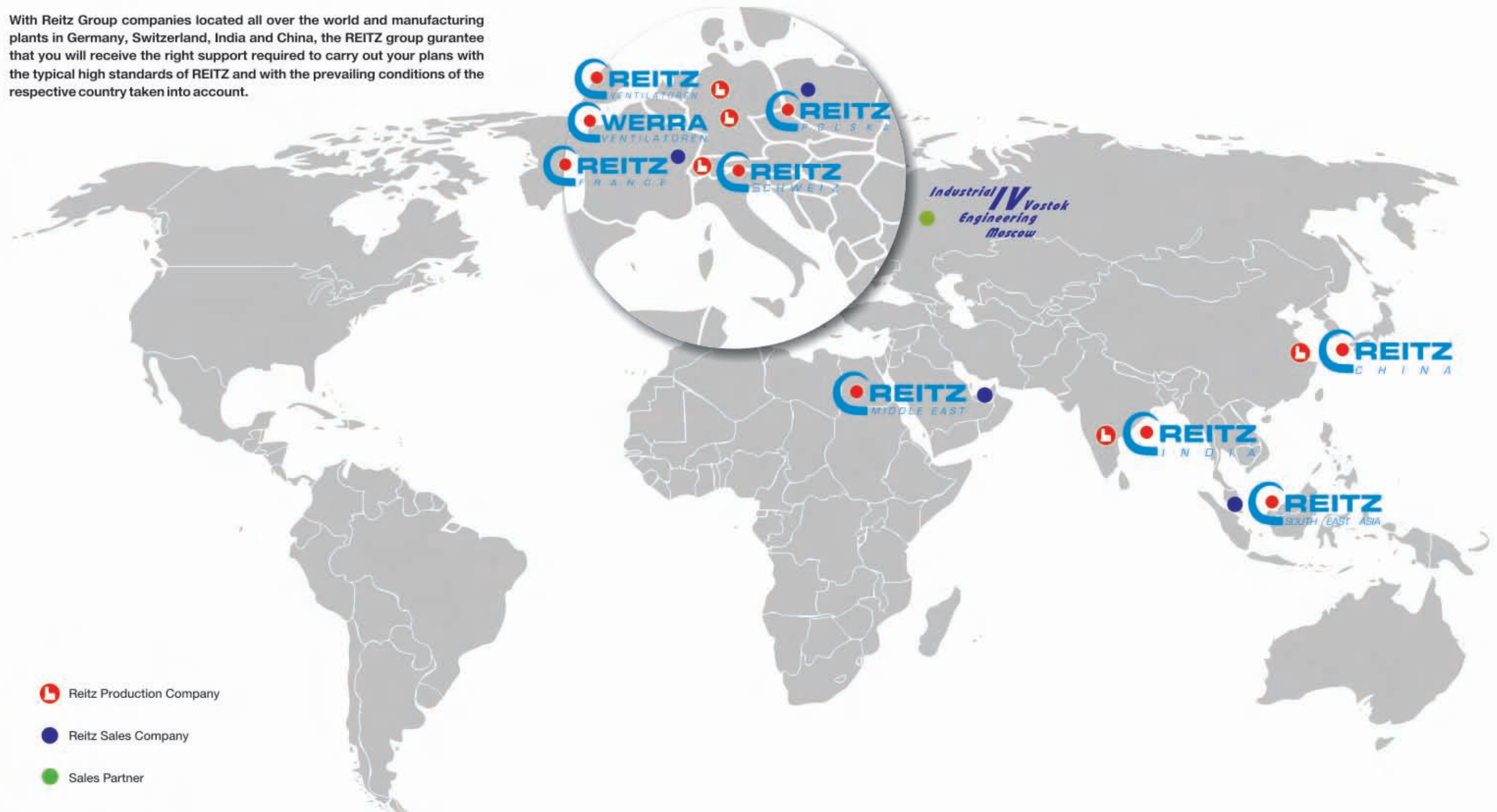
**In order to provide you with new impetus, we...**

- ...improve fan performance by retrofitting the impeller into existing fans
- ...optimise energy-saving and environmentally-friendly concepts such as rotational speed control
- ...develop and improve methods such as wear protection, which lengthen the service lives of our fans even further
- ...offer more safety and efficiency due to pre-engineering, tailored to requirements
- ...check standardised procedures and concepts with regard to cost-effectiveness
- ...welcome constructive exchanges and dialogue



# MORE ACTIVITY AND SUPPORT WORLDWIDE: THE REITZ GROUP.

With Reitz Group companies located all over the world and manufacturing plants in Germany, Switzerland, India and China, the REITZ group guarantee that you will receive the right support required to carry out your plans with the typical high standards of REITZ and with the prevailing conditions of the respective country taken into account.





## PARTNERSHIP EXTENDS BEYOND THE FACTORY GATE.

"We'll take care of it" is more than just a token expression of REITZ – it is part of the company's culture. Whether it be pre-engineering or coordination, it is a matter of course for us to contribute our thoughts and ideas, to develop solutions and to inspire our customers.

### TIME AND PLANNING RELIABILITY – WITH HELPFUL SUPPORT FROM REITZ.

**Project Planning** – At REITZ India you communicate with experts, who are well-versed in the characteristic aspects of your industrial sector.

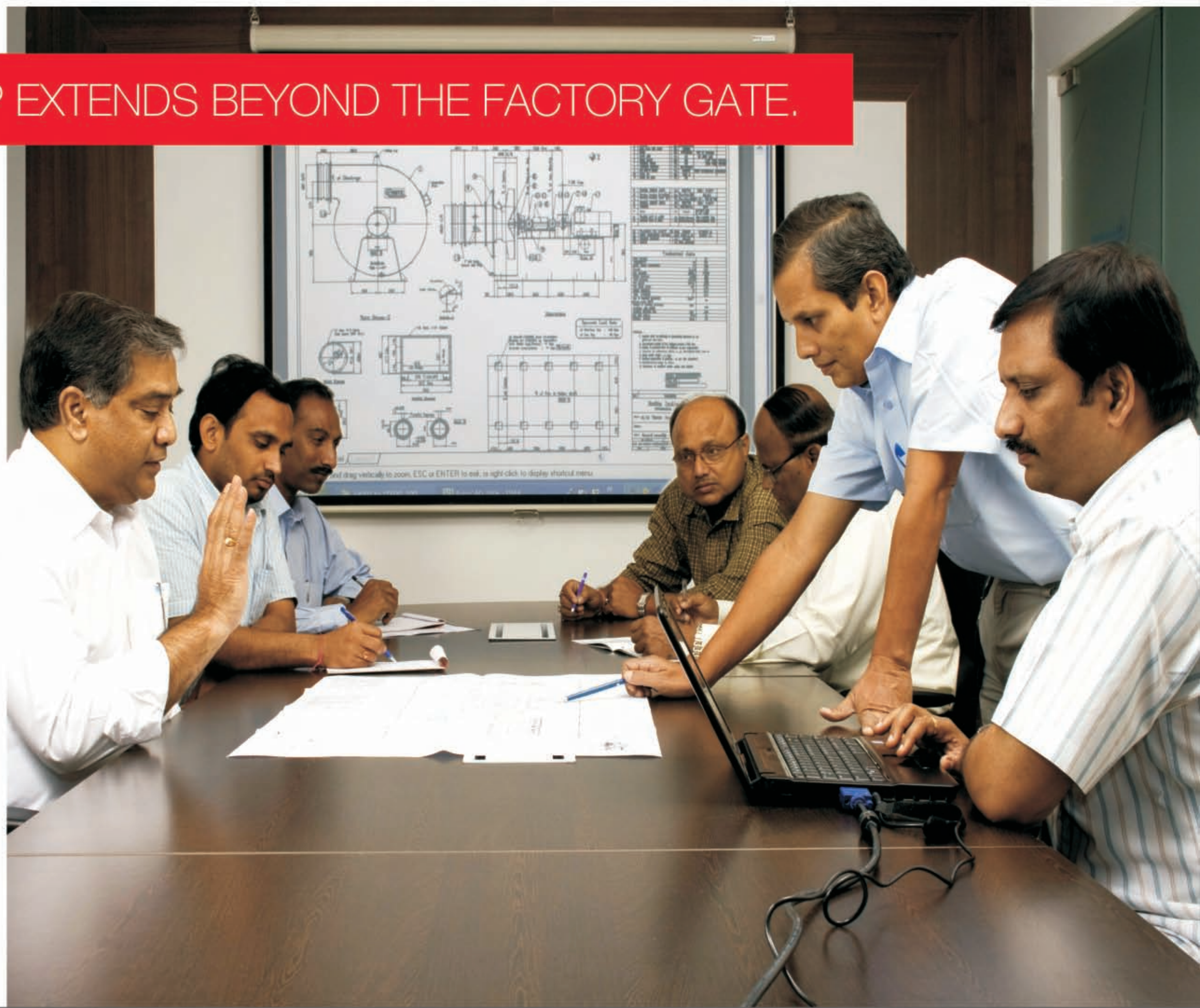
**Installation and start-up** – Carried out professionally and on time, regardless of whether the site is in close proximity or located overseas.

**Maintenance** – Regular maintenance and individual, customised maintenance contracts.

**Documentation** – Each individual production step is precisely documented. This guarantees that all data can be accessed at any time for the purpose of retrofitting or modifications.

#### Additionally REITZ India offers:

- Retrofitting of Reitz design impellers into any existing fan for improved fan performance
- Balancing of impellers and alignment of shaft system
- CFD studies for optimising aerodynamic components
- Flow measurements
- Noise and vibration measurements
- Replacement parts (even for third-party products)
- Technical advice





# CERTIFIED TO MEET THE MOST DEMANDING REQUIREMENTS.



We at REITZ India take special pride in the exceptional robustness and longlife of our fans. In order to ensure that these qualities remain constant in the future, we are building on two sturdy pillars: Vertical Integration and Quality Management.

## WE KNOW EVERY SINGLE PART- VERTICAL INTEGRATION, OUR STYLE

To put the Reitz philosophy of Sustainable Quality into practice, we place significant emphasis on completing each work step at our individual manufacturing facilities. For this purpose, we have increased the size of our premises – the total area of production of all the units is over 20,000sq.m. employing cutting-edge technology for processes ranging from high density plasma cutting to carefully controlled painting lays the foundations for the high-performance REITZ India fans.

## METICULOUS INSPECTION – REITZ QUALITY ASSURANCE.

Our Quality Management is regularly certified, particularly in accordance with ISO9001. Moreover, we have full certification according to international norms and standards for the most important areas: welding; non-destructive testing; safety, health, environment; and many more.

**Other important building blocks for REITZ India's quality assurance:**

**Materials appropriate to applications** – Careful selection made by our experts on standard and special materials.

**Endurance tests** – Impeller balancing in two planes for smooth running and long lifespan; finite element computations for checking stresses of components subject to dynamic load can be done at Reitz Germany, on special request. Non-destructive testing (NDT) for cracks using dye penetration tests & vibration analysis.

**No load and performance testing** – Using the in-house test bench for power values up to 250 kW. Using external power generators Fan testing with higher power values can be accomplished.





## RELIABILITY AT THE HEART OF CUTTING-EDGE SYSTEMS.

Owing to their high performance and reliability, REITZ India fans have gained an excellent reputation in a diverse range of applications.

### UP TO 12,000 kW – FAN POWER THAT IS APPRECIATED THE WORLD OVER:

- Cement industry
- Iron and steel industry
- Power plants
- Chemical industry
- Petrochemical plants/refineries
- Fertiliser plants
- Waste incineration plants
- Environmental engineering industry
- Metallurgy industry
- Glass industry
- Textile industry
- Synthetic – fibre production plants
- Agricultural chemistry industry
- Pharmaceutical industry
- Plastic production and processing plants
- Sewage plants
- Sugar industry
- Timber industry
- Food industry
- Paper and pulp industry
- Lime and Gypsum industry
- Machine construction industry
- Electrical industry
- Automotive engineering industry
- Drying plants
- Metal and mineral processing industries
- Transport industry
- Many others...





# ONE NAME, FOUR MODELS, ALL POSSIBILITIES: REITZ.

Due to their modular design, REITZ radial fans not only have favourable price – performance ratios, but also make up a notably wide range of products. Any one of four structural designs can be combined with one of three types of drive, so that the optimal solution can be realised for any industrial or processing application.

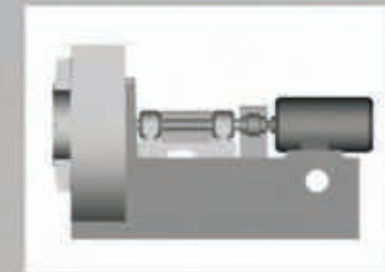
## 4 MODELS COMBINED WITH 3 DRIVE CONCEPTS

All radial fans from our basic product range are overhung, single-stage fans of welded industrial construction.



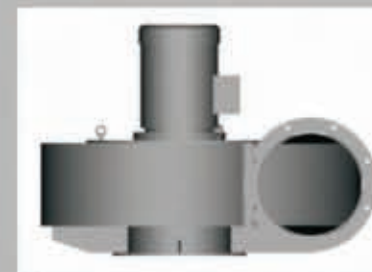
Direct drive  
Impeller fitted on motor shaft

Structural design MXE



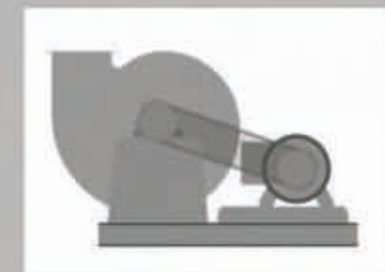
Coupling drive  
Fan shaft runs in anti-friction bearings

Structural design KXE



Direct drive  
Impeller fitted on motor shaft, suitable for direct surface-mounting on separator, filter, etc.

Structural design MAE



Belt drive  
Fan shaft runs in two anti-friction bearings, motor positioned laterally on an additional base frame made from sectional steel

Structural design RGE



# A GREAT DEAL IN EVERY SENSE: NEW DIMENSIONS TO POWER.

REITZ India manufactures large fans and process fans with power up to 12,000 kW for demanding large-scale projects and plant manufacturers worldwide.

## 4 GOOD REASONS FOR PURCHASING LARGE FANS FROM REITZ:

### Made in India with German Equipment

The entire planning, production and testing for all large fans take place in India, with most machines of German origin for production of fans. Each individual production step is completely documented.

### Optimal degree of efficiency

Each REITZ fan is designed and constructed to achieve the optimal degree of efficiency, given the process – dependent parameter values.

### Maximum availability

A combination of REITZ quality assurance, state-of-the-art production technology and electronic monitoring systems results in a maximum degree of availability, which noticeably improves the overall economy of the system.

### Planning reliability

On account of our capacity, we can guarantee the smooth and timely production of large fans with installed power up to 12,000 kW.



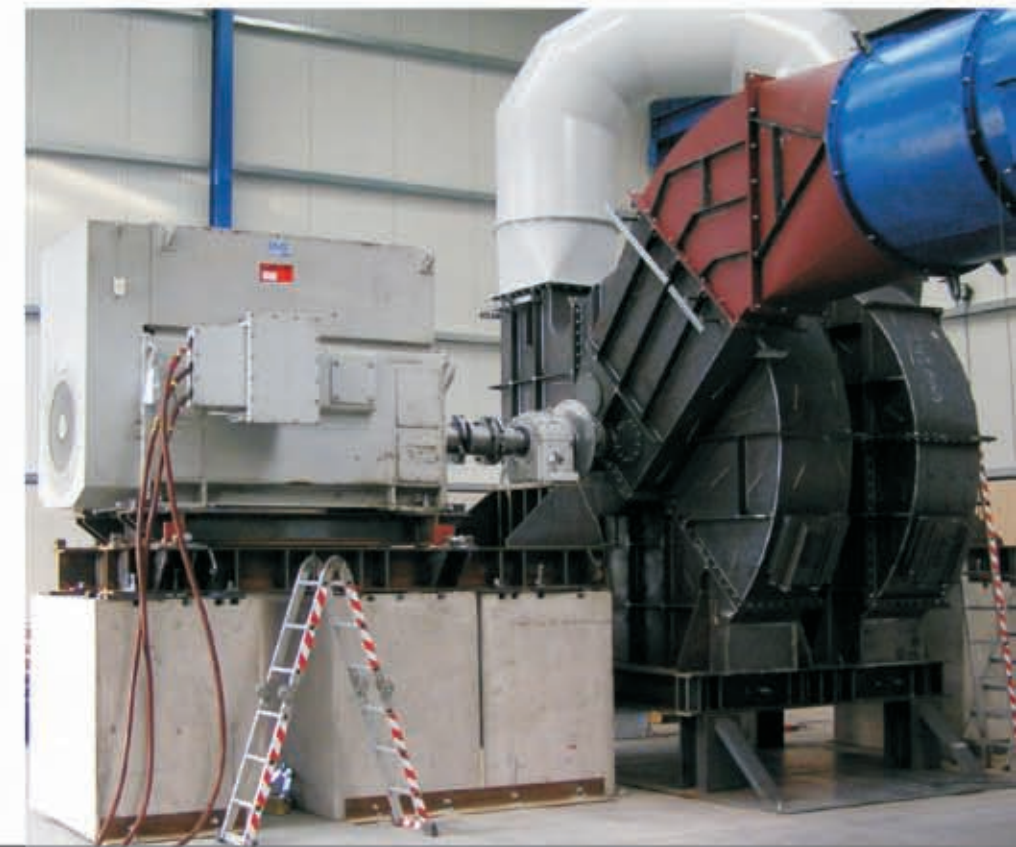


# NOW FOR THE SPECIAL CATEGORY: REITZ ORIGINAL PRODUCTS.

Unusual demands require unusual solutions. Our team of experienced engineers and technicians are highly qualified and sufficiently equipped to deal with such situations. REITZ India designs and develops every conceivable type of fan, from high-pressure fans to explosion-proof, stainless-steel fans and is directly involved from the project planning stage all the way through to the start-up stage.

## PERFECTLY EQUIPPED TO HANDLE UNUSUAL ASSIGNMENTS. SPECIALLY – DESIGNED FANS FROM REITZ:

- High-pressure fans (>300 mbars)
- Fans designed for high-temperature areas (up to 500° C)
- Pressure fans and pressure-resistant, shock-proof fans (up to 6 bars)
- Gas-proof fans
- Stainless-steel fans
- Fans with special types of drive, e.g. steam-turbine-driven fans
- Low-wear fans
- Explosion-proof fans
- Fans designed for specific process applications





# IDEAL CONTROL FOR ENVIRONMENT AND BUDGET.

Variable-speed control systems from Reitz India make an effective contribution to energy saving and, as a result, CO2 emissions and energy requirements for your installation are significantly reduced, without the degree of efficiency being lowered at all.

## THE PRINCIPLE OF VARIABLE SPEED CONTROL: USE ONLY AS MUCH AS YOU NEED.

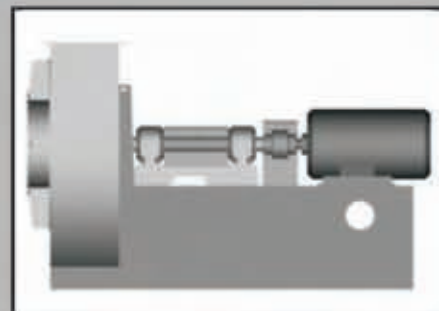
All components are perfectly compatible. The additional costs for variable-speed control systems are effectively recouped within two years on average, due to the economical benefits.

## SAVINGS OF UP TO 30% AND MORE. THE BENEFITS OF VARIABLE SPEED-CONTROL:

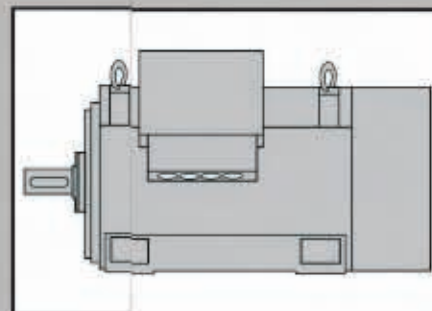
- No unnecessary energy consumption
- Linear characteristic of the control system
- Quiet running
- Perfect start-up behaviour
- Smooth mechanical operation



fan



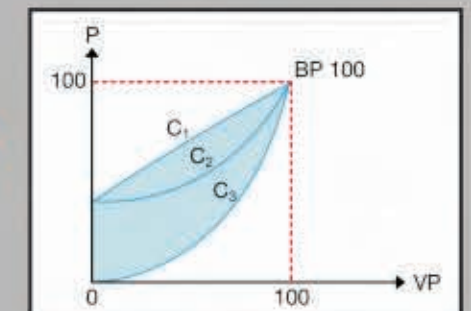
motor



variable speed control



max. energy efficiency



Power requirement curves  
 C1 = control with damper  
 C2 = inlet guide vane control  
 C3 = speed control



## THE REITZ ENVIRONMENT: SOUND INSULATION AND ACCESSORIES.

Innovative sound insulation technologies and high-quality accessories. With REITZ India you benefit from the latest technical developments and have the ideal equipment for any type of application.

### ANYTHING BUT TRIVIAL. ACCESSORIES FROM REITZ.

It is an advantage to be well-equipped for special assignments. The diversity of REITZ India's accessories makes it possible to produce customised equipment of the highest technical standard.

- Louvre dampers
- Inlet guide vanes
- Transition pieces
- Flexible connections
- Anti-vibration mounts (rubber/spring type)
- Round filters
- Inlet nozzles
- Piezometric flow meters
- Suction boxes

### PEACE AND QUIET FOR WORKERS AND THE ENVIRONMENT. SOUND INSULATION MADE TO ORDER.


Sound insulation is currently a subject of noisy debate. It is comforting to know therefore that our sound-insulation product range with pioneering technology already offers all kinds of possibilities to reduce the sound level to a minimum.

- Silencers with baffles
- Tubular silencers
- Housing insulation
- Noise-protection cabins





## THE DIRECT ROUTE TO GAINING NEW IMPETUS.



Thankfully, there is REITZ India, which would be delighted to assist you. With new ideas, with a highly-qualified team, and with the commitment of a professionally managed business and, of course, with reliable, top-notch fan technology. We look forward to engaging in dialogue with you.

**WE'RE THERE FOR YOU**  
+91-40-4488 1888 or [info@reitzindia.com](mailto:info@reitzindia.com)

Visit our website for more information:  
[www.reitzindia.com](http://www.reitzindia.com)



**REITZ SE-ASIA PTE LTD**  
31, Cantonment Road, Singapore-089747  
Mobile: +65 98503415 • Phone: +65 62244991 • Fax: +65 62277994  
E-mail: sa@reitzindia.com • Websites: www.reitzindia.com, www.reitz.com.sg

